

||||||| ROTARY VIBRATOR CM |||||||



TROWAL SURFACE FINISHING TECHNOLOGY

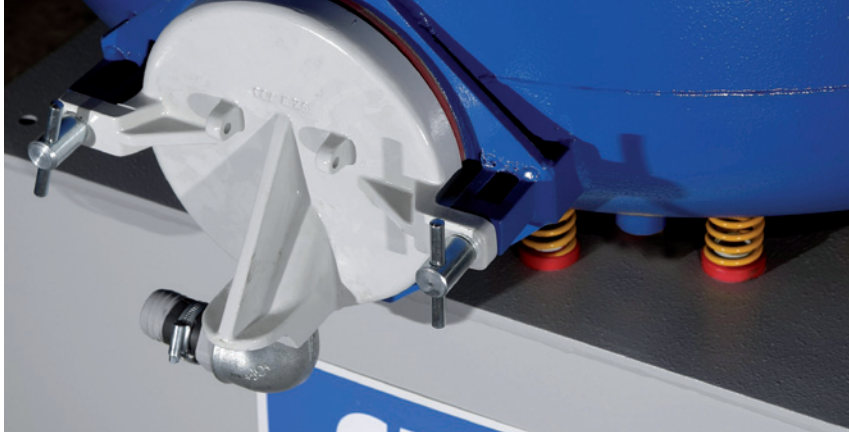
Rotary vibrators – model range CM

A WIDE RANGE OF FINISHING APPLICATIONS

Trowal rotary vibrators can be used for finishing the surface of a wide variety of work pieces and for all kinds of different processing objectives. Their applications range from aggressive deburring and edge radiusing all the way to high gloss polishing of delicate work pieces, i.e. from aggressive cutdown to generating perfect pre-plate surface finishes. Trowal rotary vibrators are used not only as economical „standalone “ machines but can also be integrated into interlinked, fully automatic manufacturing systems.

THE SPECIALIST!

Trowal rotary vibrators of the model range CM do not have an integrated separation device. Typically, CM vibrators are mainly used for finishing the surface of large and delicate components. The CM range consists of 6 models with work bowl volumes from 110 up to 1,000 liters.



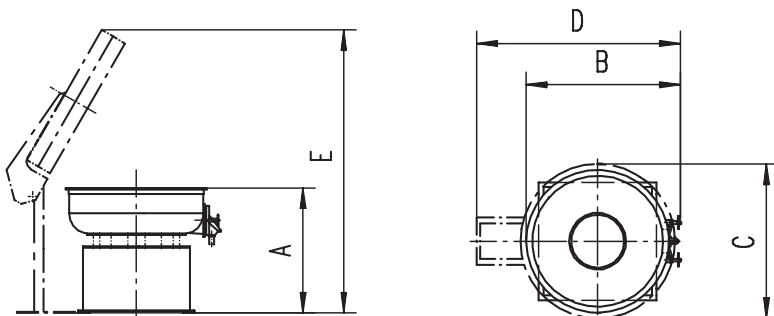
	CM 115	CM 205	CM 305	CM 405	CM 605	CM 1045
Work bowl – gross volume (l)	110	200	350	420	600	1,000
Work bowl – usable volume (l)*	80	110	195	285	415	780
Largest work piece dimensions – measured diagonally (mm)	160	180	220	250	280	330
Total weight (kg)	310	465	635	700	1,140	2,250
Standard version						
Drive power at 1500 rpm	1.0 kW	1.0 kW	2.6 kW	2.6 kW	4.0 kW	11.0 kW
rpm range	1,000/1,500					**
Max. centrifugal force	17,540	18,710	33,680	33,680	72,980	138,470
Ball burnishing version						
Drive power at 1500 rpm	1.0 kW	1.0 kW	2.6 kW	4.0 kW	7.0 kW	-
Max. rotary speed (rpm)	Infinitely adjustable by frequency inverter up to 1,800 rpm					-
Max. centrifugal force	25,204	26,884	48,392	75,881	104,848	-
Vibratory drier	G 200	G 200	G 500	G 500	G 500	G 1000
Hot air belt drier	Upon Request				Bf-HL 600/3500	

* Part geometry, material and delicacy are important for the determination of the media/work piece ratio.

** Rotary speed infinitely adjustable by frequency inverter up to 1.500 RPM.

CM	A	B	C	D	E
115	1,030	1,030	1,010	1,505	2,155
205	1,020	1,070	1,100	1,665	2,240
305	1,071	1,306	1,300	1,730	2,430
405	1,110	1,465	1,444	2,140	2,720
605	1,251	1,700	1,680	2,388	3,050
1045	1,470	2,115	2,110	3,035	3,870

Dimensions (in mm)



CM vibrators are special mass finishing machines offering many functional features:

“PADDLE WHEEL” DIVIDERS

For processing of large, delicate work pieces a “paddle wheel” system is available, which forms separate chambers. Since each chamber only contains one work piece, there is no part-on-part contact preventing any nicking or impingement.

FINISHING OF DELICATE WORK PIECES?

The flat bottom design of the processing channel without any ramps or inclines ensures extremely gentle processing of the work pieces.

GUARANTEED BATCH INTEGRITY

The optional pneumatic unload gate allows complete discharge of a batch of finished work pieces from the work bowl and, thus, prevents work pieces from different batches getting mixed up.

DOUBLE BATCH OPERATION

CM vibrators are ideally suited for double batch operation, which keeps unproductive, idle times at an absolute minimum.

ACCESSORIES

- Noise reducing lids
- Water and compound dosing systems
- Heavy-duty version for ball burnishing or pressure deburring with steel media
- Circular rinsing station
- And many more

**WALTHER
TROWAL!**

Walther Trowal, LLC

4540 East Paris Ave SE, Ste F | Grand Rapids, MI 49512

Tel. +1 (616) 455-8940 | Fax +1 (616) 871-0037

info@walther-trowal.com | <https://walthertrowal.com/>