

||||||| ROTARY VIBRATOR CF |||||||



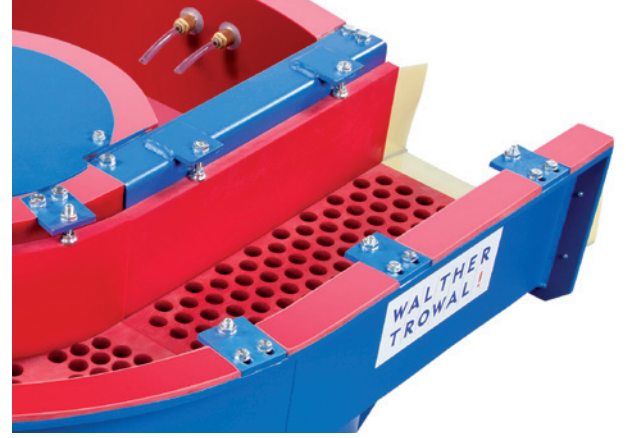
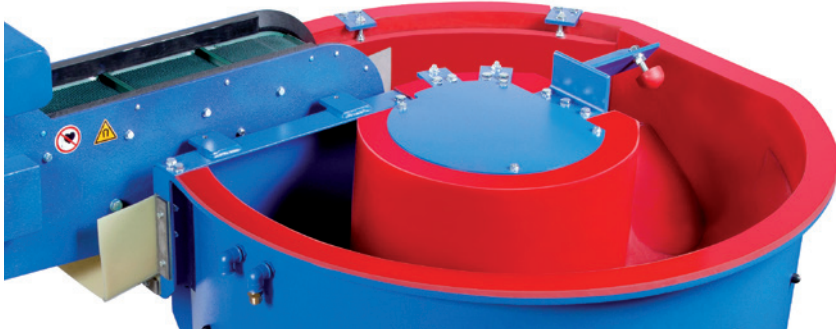
TROWAL SURFACE FINISHING TECHNOLOGY

Rotary vibrators – model range CF

COST EFFECTIVE AND EFFICIENT

Trowal rotary vibrators are truly universal mass finishing machines that can be used for a wide variety of work pieces and finishing objectives. Their applications range from aggressive deburring and edge radiusing all the way to high gloss polishing of delicate work pieces, i.e. from intensive cut-down to generating perfect pre-plate surface finishes.

The competitively priced rotary vibrators of the model range CF offer the user high operational efficiency combined with maximum cost effectiveness. Customers can choose from seven (7) different models with work bowl volumes ranging from 100 to 1,200 liters. Equipped with an internal pneumatic separation device, the CF vibrators are easy to operate ensuring a smooth and safe finishing process. The vibratory motor is equipped with two (2) rotary speeds. This guarantees an optimum finishing process and efficient separation of the finished work pieces from the media.



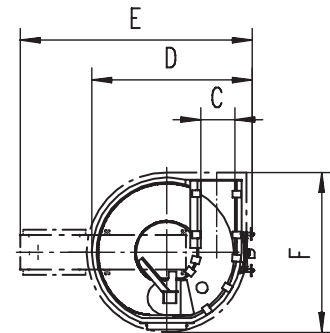
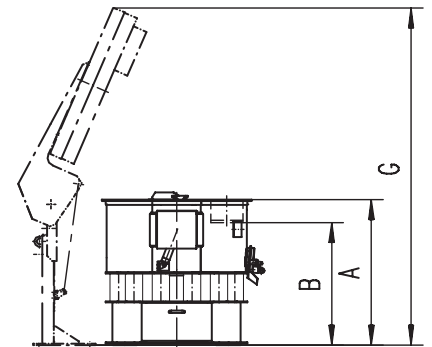
	CF 100	CF 200	CF 300	CF 400	CF 600	CF 800	CF 1200
Work bowl – gross volume (L)	100	200	300	400	600	800	1,200
Work bowl – usable volume (L)*	83	125	190	260	345	470	700
Largest work piece dimensions – measured diagonally (mm)	160	170	220	260	270	315	335
Total area of separation screen (cm ²)	1,960	2,190	2,710	3,270	4,000	4,900	6,300
Total weight (kg)	510	740	1,020	1,190	1,435	2,110	2,650
Drive power at 1,500 RPM	1.2 kW	2.6 kW	2.6 kW	2.6 kW	4.0 kW	6.0 kW	8.0 kW
RPM range**)	1,000/1,500						
Max. centrifugal force (N)	21,500	49,000	49,000	49,000	82,000	100,000	142,000
Accessory equipment							
Magnetic separator	MS 101x14	MS 134x19	MS 134x24	MS 134x24	MS 168x31	MS 168x31	MS 168x36
Vibratory drier	G 100	G 200	G 200	G 200	G 500	G 500	G 1000

*Work piece geometry, material and risk of nicking are important for the determination of the media/work piece ratio.

**Vibratory motor equipped with two (2) rotary speeds

CF	A	B	C	D	E	F	G
100	1,195	972	224	1,100	1,505	1,195	2,670
200	1,225	1,010	238	1,274	1,795	1,350	2,670
300	1,290	1,090	285	1,430	2,060	1,460	2,980
400	1,332	1,120	326	1,586	2,235	1,580	3,190
600	1,434	1,080	363	1,727	2,384	1,700	3,420
800	1,548	1,255	396	1,915	2,665	1,910	3,780
1200	1,737	1,410	445	2,124	2,787	2,120	4,110

All dimensions in mm



The design of the CF rotary vibrators allows a wide range of different mass finishing applications without requiring any other optional features.

- Processing channel with continuous incline over 180°
- Pneumatically activated separation flap (standard in model CF 200 and bigger)
- Large screen area with a curved and rectangular screen segment
- Maintenance-free vibratory flange motor (except for CF 100)
- Vibratory motor equipped with two (2) rotary speeds

The CF range comes with the following accessories:

- Noise reducing lids
- Water and compound dosing systems
- Magnetic separators
- Vibratory driers

**WALTHER
TROWAL!**

Walther Trowal, LLC
4540 East Paris Ave SE, Ste F | Grand Rapids, MI 49512
Tel. +1 (616) 455-8940 | Fax +1 (616) 871-0037
info@walther-trowal.com | https://walthertrowal.com/